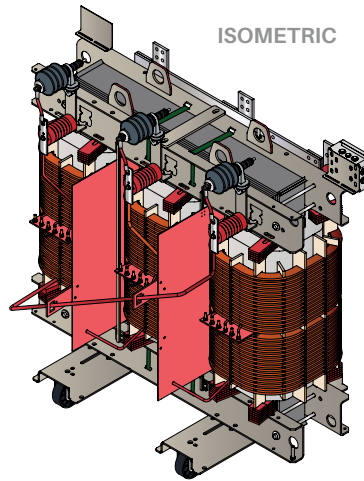
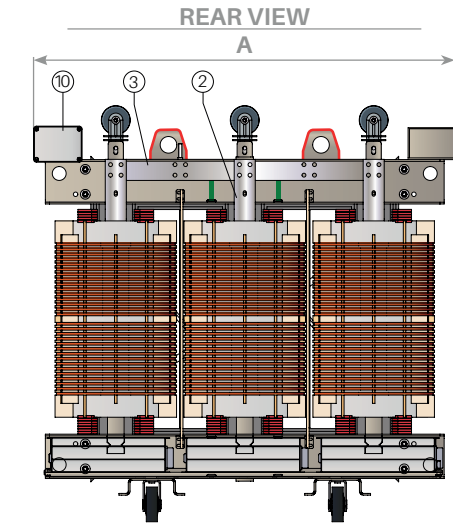
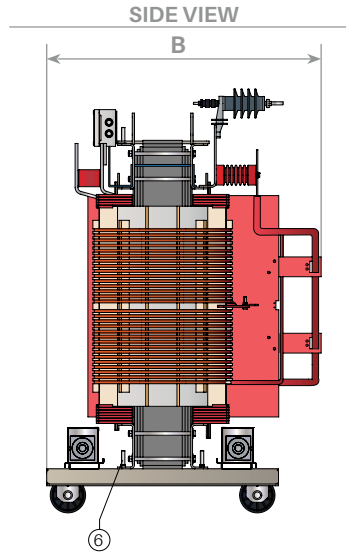
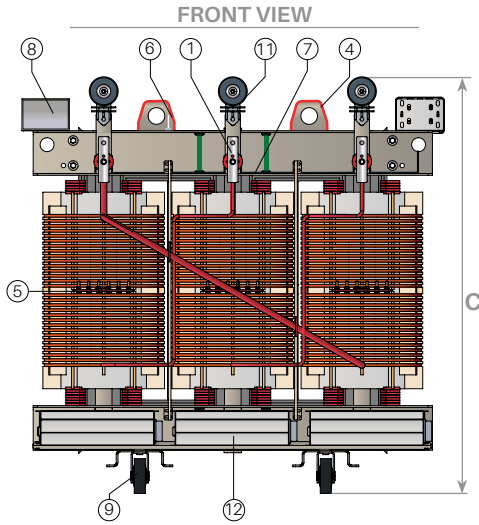
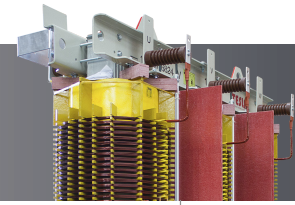


OPEN DRY TYPE TRANSFORMER CLASS H SERIES 15 / 1.1kV ACCORDING TO NTC 3445, NTC 3654 STANDARDS

Note: the designs are legal property of Nacional de Transformadores S.A.S. - Tesla Transformers due to its registered trademark. The total or partial use of Tesla Transformers' design is prohibited without prior authorization from Nacional de Transformadores S.A.S.



| | |
|-----------------------|---|
| Rated voltage (kV) | 15 / 1,1 |
| Primary voltage(V) | 13800-13200-11400 |
| Secondary voltage (V) | Up to 800 |
| Phases | 3 |
| Installation | Indoor |
| Frequency(Hz) | 60 |
| Connection group | Dyn- |
| Tap changer | (+1-3) X 2.5 % or (+2-2) X 2.5 % (customer request) |
| Temperature rise (°C) | 125 |
| BIL (kV) | 60 / - |
| Protection degree | IP-00 / IP-20 (customer request) |
| Cooling | AN |
| Insulation class | H |

Constituent parts

- 1 Primary winding phase terminals.
- 2 Secondary winding phase.
- 3 Terminals neutral.
- 4 Lifting device.
- 5 de-energized tap changer.
- 6 Ground terminal.
- 7 temperature sensor device (customer request).
- 8 Nameplate.
- 9 swivel wheels 90°.
- 10 Terminal box support for temperature sensors (customer request)
- 11 Surge arresters 15 kV (customer request)
- 12 Forced ventilation system (customer request)

| POWER (kVA) | A (mm) | B (mm) | C (mm) | WEIGHT (kg) | IMPEDANCE AT 145°C (%) | SHORT CIRCUIT DURATION (s) | SYMETRICAL ICC (kA) | LOAD LOSSES AT 145°C Pk(W) | NO-LOAD LOSSES Po(W) | EFFICIENCY 75°C (+) (%) | SOUND |
|-------------|--------|--------|--------|-------------|------------------------|----------------------------|---------------------|----------------------------|----------------------|-------------------------|-------|
| 30 | 990 | 830 | 1110 | 330 | 6 | 2 | 16,7 | 652 | 260 | 97,45 | |
| 45 | 1010 | 850 | 1110 | 400 | 6 | 2 | 16,7 | 934 | 300 | 97,87 | |
| 75 | 1100 | 870 | 1160 | 480 | 6 | 2 | 16,7 | 1444 | 400 | 98,19 | 45 |
| 112,5 | 1120 | 870 | 1190 | 520 | 6 | 2 | 16,7 | 2041 | 550 | 98,32 | 45 |
| 150 | 1170 | 880 | 1220 | 670 | 6 | 2 | 16,7 | 2579 | 675 | 98,43 | 50 |
| 225 | 1260 | 950 | 1320 | 900 | 6 | 2 | 16,7 | 3583 | 900 | 98,58 | 50 |
| 300 | 1320 | 970 | 1320 | 980 | 6 | 2 | 16,7 | 4561 | 1120 | 98,66 | 50 |
| 400 | 1410 | 980 | 1450 | 1300 | 6 | 2 | 16,7 | 5820 | 1360 | 98,75 | 55 |
| 500 | 1480 | 980 | 1490 | 1500 | 6 | 2 | 16,7 | 6949 | 1600 | 98,81 | 55 |
| 630 | 1480 | 990 | 1530 | 1710 | 6 | 2 | 16,7 | 8350 | 1870 | 98,88 | 60 |
| 800 | 1630 | 1070 | 1630 | 2080 | 6 | 2 | 16,7 | 10077 | 2210 | 98,95 | 60 |
| 1000 | 1680 | 1090 | 1760 | 2250 | 6 | 2 | 16,7 | 12292 | 2600 | 98,99 | 62 |
| 1250 | 1760 | 1100 | 1840 | 2800 | 8 | 2 | 12,5 | 14789 | 3030 | 99,04 | 64 |
| 1600 | 1890 | 1150 | 1890 | 3160 | 8 | 2 | 12,5 | 18459 | 3530 | 99,10 | 64 |
| 2000 | 1920 | 1330 | 1900 | 3820 | 8 | 2 | 12,5 | 22585 | 3850 | 99,16 | 65 |

(*) Efficiency levels calculated at a reference temperature of 75°C, with a load factor of 50% and power factor = 1. 66
 (**) Prior to the guaranteed efficiency value, the specified no-load or winding losses are a reference and these may vary depending on the voltage and current characteristics of the transformer.
 (***) Sound pressure level NTC
 (****) The number of perforations on the terminals is according to the manufacturing standard (it will be indicated in the final drawing).

Notes

- Due to changes in technology and manufacturing methods, dimensions may change without prior notice, tolerances ± 10%
- For special Transformers, K factor for harmonic management, temperature increase in the windings, service factor 1.25, low losses, low noise level, different connection group and forced ventilation, are manufactured to order, with additional cost.
- Optional thermal protection, digital thermometer with 2 contacts, one for alarm and one for triggering with PT-100 sensor in one or all three phases, on request with additional cost.
- DPS surge arresters at additional cost.
- For voltages 7620 - 4160 - 2400 V, the series voltage and the BIL change, check with the factory.
- The measurements are approximate for final plans check with the factory.
- For capacities, accessories, applications or special measures, check with the factory.
- For different or higher powers, they are manufactured to order, check with the factory.



TR-CO17/7452