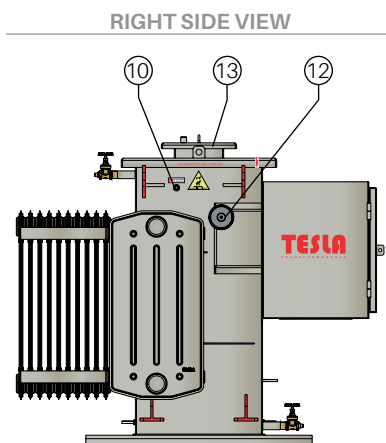
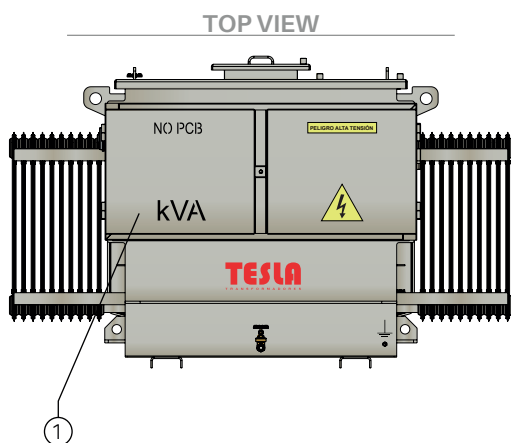
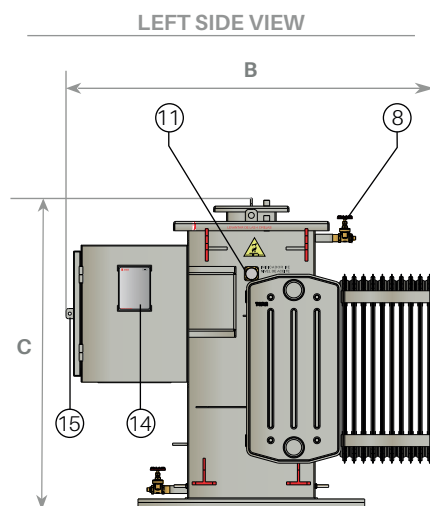
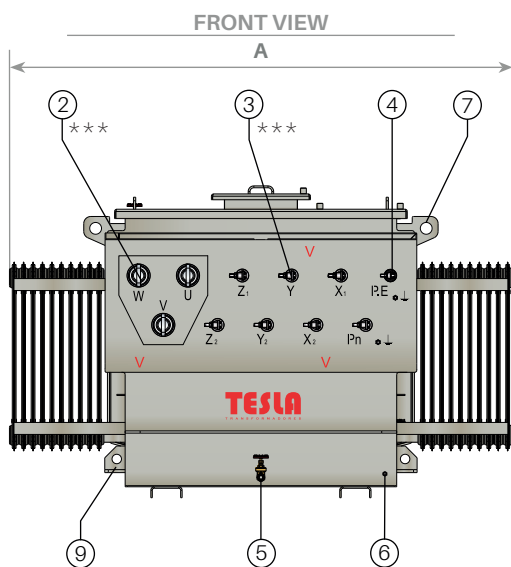


# THREE-PHASE PHASE SHIFTING TRANSFORMER, 1.2 / 1.2 KV SERIES, FOR 6, 12, AND 18-PULSE INVERTERS IN ACCORDANCE WITH NTC STANDARDS.

Note: the designs are legal property of Nacional de Transformadores S.A.S. - Tesla Transformers due to its registered trademark. The total or partial use of Tesla Transformers' design is prohibited without prior authorization from Nacional de Transformadores S.A.S.



Rated voltage (kV)	1,2 / 1,2
Primary voltage (V)	480
Secondary voltage (V)	480
Phases	3
Secondary phases	3 - 6 - 9
Pulses	6 - 12 - 18
Installation	Outdoor
Frequency (Hz)	60
Connection group	Dd0yn1
K Factor	1 to 20
Tap changer	Without Tap Changer for 1.2 kV Rated voltage
Temperature rise (°C)	65
BIL (kV)	30 / 30
Cooling	ONAN / KNAN
Insulation class	Ao
Insulating liquid	Oil mineral / Vegetable

### Partes constitutivas

- 1 Terminal protector box.
- 2 Primary terminals.
- 3 Secondary terminals.
- 4 Electrostatic screen terminal.
- 5 Circulation and drainage valve.
- 6 Tank grounding terminal.
- 7 Lifting device.
- 8 Filling device.
- 9 Crawling device.
- 10 Overpressure relief valve.
- 11 Oil level indicator.
- 12 Oil thermometer.
- 13 Inspection cover.
- 14 Nameplate.
- 15 Lock.

POWER (kVA)	A (mm)	B (mm)	C (mm)	OIL(L)	WEIGHT (kg)	SOUND PRESSURE POWER (**)(dB)
150	1180	1110	1310	280	1050	55
260	1200	1250	1350	300	1500	55
460	1250	1350	1380	750	2300	56
520	1390	1500	1430	760	2540	57
757	1400	1700	1580	820	2550	57

(\*\*) Sound pressure level NTC 5978

(\*\*\*) Number of perforations in LV terminals according to manufacturing standard and reference standard (NTC 2501-1)

### Notes.

- Due to changes in technology and manufacturing methods, dimensions may change without prior notice, tolerances ± 10%.
- Additional accessories such as contact thermometer, expansion tank with Buchholz relay, contact overpressure valve, magnetic level, winding thermometer, are quoted at the customer's request at an additional cost.
- For voltages 7620-4160-2400V the series voltage and BIL change, check with the factory.
- Vegetable oil generates additional cost.
- Measurements are approximate for definitive plans, check with the factory.
- For different or higher powers they are manufactured to order, check with the factory.



TR-CO17/7452