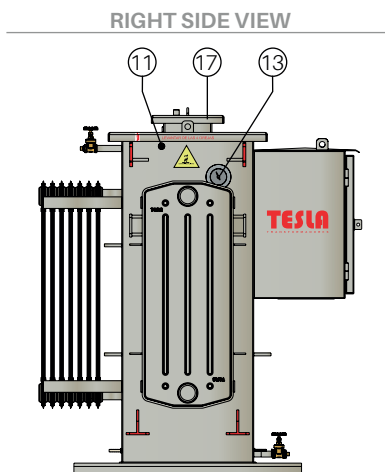
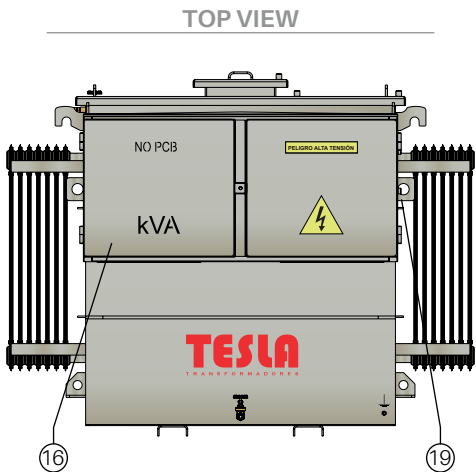
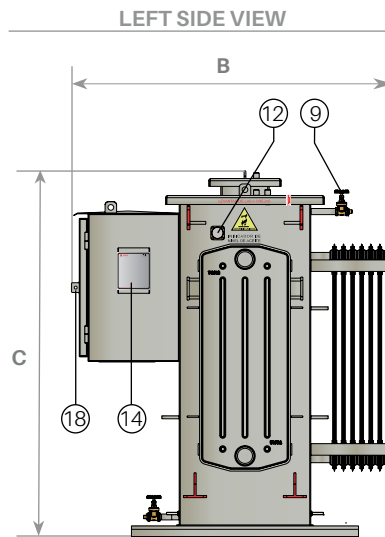
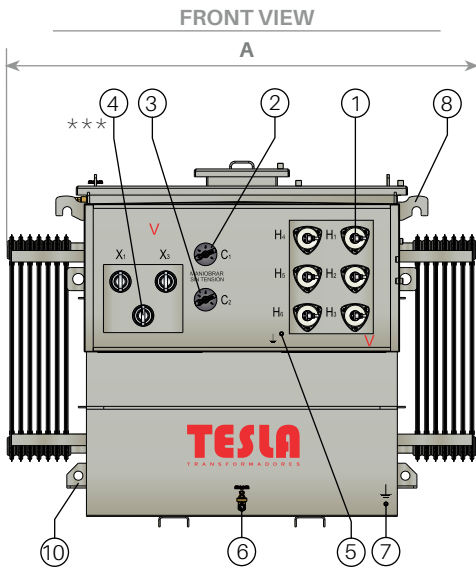


THREE-PHASE VARIABLE FREQUENCY TRANSFORMER, 4.4 / 1.2 KV RATED, IN ACCORDANCE WITH NTC STANDARDS.

Note: the designs are legal property of Nacional de Transformadores S.A.S. - Tesla Transformers due to its registered trademark. The total or partial use of Tesla Transformers' design is prohibited without prior authorization from Nacional de Transformadores S.A.S.



Rated voltage (kV)	4,4 / 1,2
Primary voltage (V)	480
Secondary voltage (V)	1100 - 4200
Phases	3
Installation	Outdoor
Frequency (Hz)	10 - 90
Connection group	Dd0-Ynd1
K Factor	1 to 20
Tap changer	25 positions on 2 Switches
Temperature rise (°C)	65
BIL (kV)	60 / 30
Cooling	ONAN / KNAN
Insulation class	Ao
Insulating liquid	Oil mineral / Vegetable

Constituent parts

- 1 High voltage bushings.
- 2 Coarse adjustment switch.
- 3 Fine adjustment switch.
- 4 Low voltage bushings.
- 5 Neutro's Grounding Terminal.
- 6 Circulation and drainage valve.
- 7 Tank grounding terminal.
- 8 Lifting device.
- 9 Filling device.
- 10 Crawling device.
- 11 Overpressure relief valve.
- 12 Oil level.
- 13 Oil thermometer.
- 14 Nameplate.
- 15 Taps and voltages plate (internally).
- 16 Terminal protective box.
- 17 Inspection cover.
- 18 Lock.
- 19 Mooring device.

POWER (kVA)	A (mm)	B (mm)	C (mm)	OIL (L)	WEIGHT (kg)	SOUND PRESSURE POWER (***) (dB)
150	1380	1240	1300	450	1400	55
260	1400	1500	1450	600	1960	55
460	1490	1690	1430	700	2320	56
520	2100	1720	1530	850	3000	57
757	2470	1920	1770	1320	4000	57
1010	2600	2000	1850	1520	4750	58

(**) Sound pressure level NTC 5978

(***) Number of perforations in LV terminals according to manufacturing standard and reference standard (NTC 2501-1)

Notes.

- Due to changes in technology and manufacturing methods, dimensions may change without prior notice, tolerances ± 10%.
- Additional accessories such as contact thermometer, expansion tank with Buchholz relay, contact overpressure valve, magnetic level, winding thermometer, are quoted at the customer's request at an additional cost.
- For voltages 7620-4160-2400V the series voltage and BIL change, check with the factory.
- Vegetable oil generates additional cost.
- Measurements are approximate for definitive plans, check with the factory.
- For different or higher powers they are manufactured to order, check with the factory.



TR-CO17/7452